

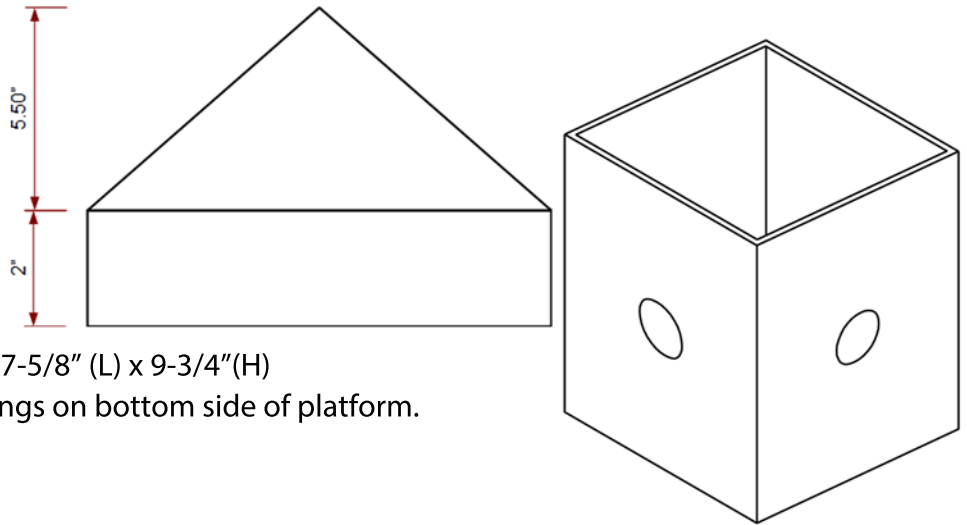


### SP-PTZEM

## 8 x 10 Mounting Platform (Birdhouse)

This 8" x 8" x 10" Bolt-On Mounting Platform, also known by our Dealers as "The Birdhouse", has been used in many different ways, but is designed to provide 4 long, wide mounting faces for large, heavy PTZ Cameras, Equipment Cabinets, Power Supplies, Transmitters and Antennas and a myriad of Security Detectors, Sensors and other Devices.

The 8X10 Mounting Platform has proven to be very versatile because it provides a whole host of features and accessories in a compact pole-top platform. It is extremely heavy duty, as it is made from 3/16" aluminum, and 3 of the faces have pre-drilled 1" Electrical Knockout holes for wiring access (actual hole size is 1.362"), and will accommodate any type of 1" conduit fitting, wire gland or LiquidTite fittings. These holes come sealed with weatherproof rubber hole plugs that can be cut to allow wiring to pass through, or can be removed quickly if you are installing a gland or fitting.



Inside Dimensions are 7-5/8" (W) x 7-5/8" (L) x 9-3/4"(H)  
Will Accept up to 4 1" Conduit Fittings on bottom side of platform.

