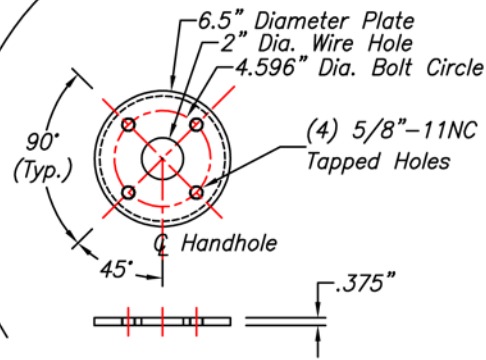


6.5" O.D. x .375" Thick Aluminum Adapter Plate



Pole Designed per AASHTO 2013 Specifications For A 120 mph Maximum Wind Speed When Supporting A Maximum Design Loading Of (3) .7 sq. ft. EPA And 20 lb. Cameras, Along With An Additional Loading Of (1) 14" x 18" x 20 lb. Power Supply Cabinet, Mounted On Strong's "Birdhouse" Adapter (8" x 12" & 15 lbs.). Pole Base Mounted No Higher Than 2'-0" Above Grade, And Combined Wind And Dead Load Deflection Limited To 3% Of Pole Height.

The Combined Maximum Design Loading for This Pole Assembly per AASHTO 2013 Specifications For A 150 mph Wind Speed, And Considering A Maximum Wind And Dead Load Deflection Of 3% Of Pole Height, Is 3.8 sq. ft. EPA And 95 lbs. Weight. Pole Base Mounted No Higher Than 2'-0" Above Grade.

Notes:

1. Approximate Pole Assembly Weight: 89 lbs.
2. Maximum Combined Moment At Base: 11867 ft. lbs.
3. Maximum Combined Shear At Base: 652 lbs.

Tapered Alum. Tube
.156" Wall Alloy 6063-T6
Standard Powder Coat Finish

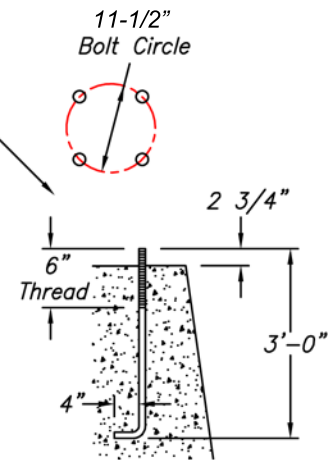
- (4) 1"-8NC Galv. Stl. Anchor Bolts, AASHTO M314-90 Grade 55, 10" Of Threaded End Galv. Per ASTM A153.
- (4) 1"-8NC Galv. Stl. Hex. Nuts
- (4) 1" Galv. Stl. Lockwashers
- (4) 1" Galv. Stl. Flatwashers

Handhole Frame Tapped 3/8"-16NC For Grounding

Reinforced Handhole (4" x 6") With Cover And Stainless Steel Hex. Hd. Screws

Base Flange Alloy 356-T6 With Bolt Covers And Stainless Steel Hex. Hd. Screws

Label Per 38119-002 Part No. 37651, And Manufacture Date



NO.	REVISIONS	DATE

		TITLE 20' SteadyMax Series Pole	
		Part # SP-SM20	
SCALE	DATE	BY	
CHK'D	DWG. NO.		

**THIS TEMPLATE IS NOT TO SCALE
FOR ILLUSTRATION ONLY!!!**

1 1/2" Dia.
Bolt Circle

8 1/8"

8 1/8"

Notes:
Verify Bolt Circle Diameter and Anchor Bolt Projection.
Use Anchor Bolt Template To Drill Holes in Plywood & Use As a Locator
for Anchor Bolts.
Bolt Projection for Single Nut Application: 2 3/4"

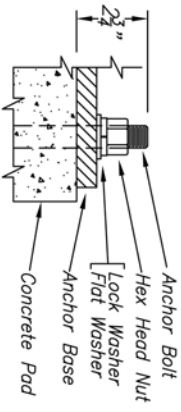
Attention: Contractor/Installer
Strong Poles includes a flat-washer and lock-washer for each anchor bolt shipped in the hardware kit along with the pole. When requested at time of order entry, an extra hex nut and flat washer can be ordered to assist in the placement of the anchor bolts using a plywood template.

Strong Poles does not intend nor recommend that the extra nut and washer be used to support the pole. If improperly executed, using the extra nut and washer to stilt the pole base on the anchor bolts with the leveling nut can compromise the structural integrity of the pole base which may induce fatigue. Strong Poles recommends leveling shims (Part # SP-LEVEL-001) in lieu of leveling nuts.

Strong Poles standard base covers are intended to be used with single nut applications only. If used with leveling nuts, a gap could be created between the foundation and cover.

Double Nut leveling system is not recommended. Use leveling shims instead.
(Contact Strong Poles if double leveling nuts must be used.)

Bolt Projection for Single Nut Application: 2 3/4"



Double Nut leveling system is not recommended. Use leveling shims instead.
(Contact Strong Poles if double leveling nuts must be used.)

Ref. B55008, Base 44207, 8" Dia. Lighting

NO.	REVISIONS	DATE

		TITLE 1 1/2" Dia. BC - For (4) Bolt Base	
		CUSTOMER	
SCALE NTS	DATE 06/14/2010	DWG. NO.	
BY PM			
CHK'D			