

HD PARAPET

Heavy Duty Parapet Wall Camera Mount

This Heavy Duty Parapet Mount is not only useful by itself, but it can also be ordered with a variety of attachments. Any of our products with the Standard Side Mounting Plate Diagram Standard Side Mounting Plate will fit on the HD Parapet Mount.

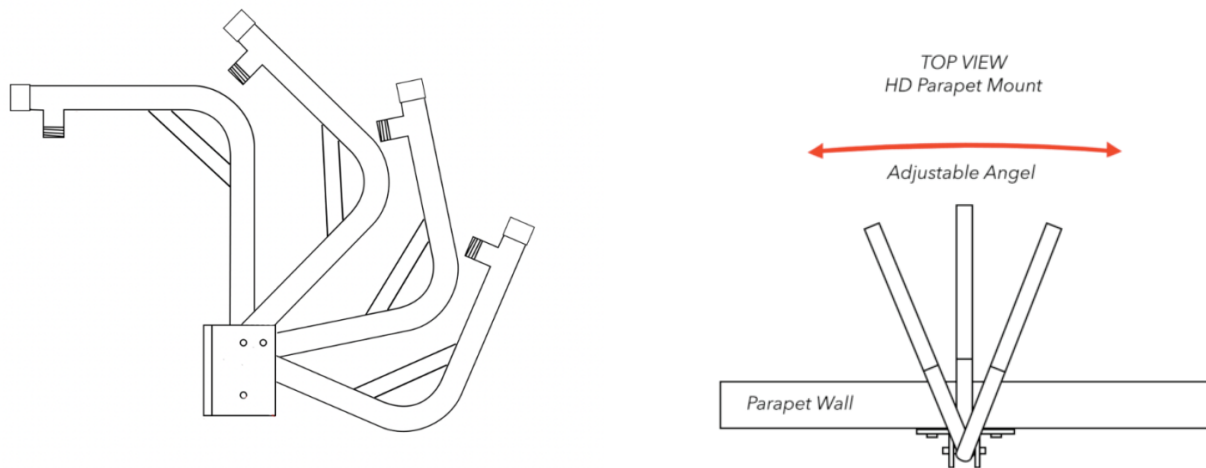
What Makes our HD Parapet Mount Unique?

The industry leading easy access design makes installation, adjustments, cleaning, and maintenance a breeze. This ultra-sturdy mount attaches to the interior of a Parapet Wall with the provided anchors and by removing just one bolt the entire unit can fold back allowing easy access to your security cameras and equipment. Our unique design eliminates the need for expensive equipment rentals. No more long man hours and lift rentals!

Another feature that makes our Parapet Wall Camera Mount so unique is our multi-position design. We know that sometimes you need a little more reach. That's why we designed our Parapet Mounts with the ability to swing 360 degrees and be locked down at any position.

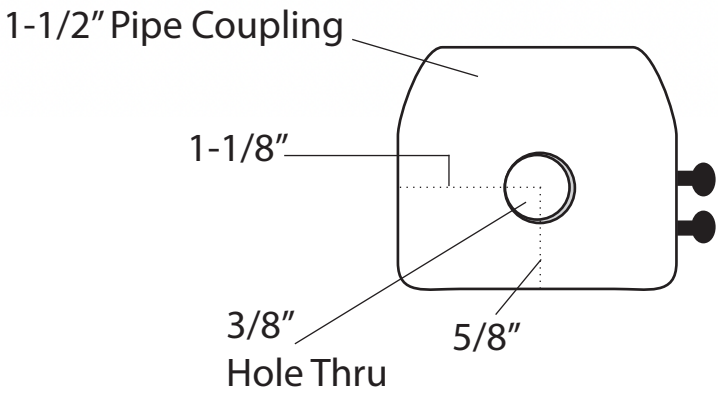
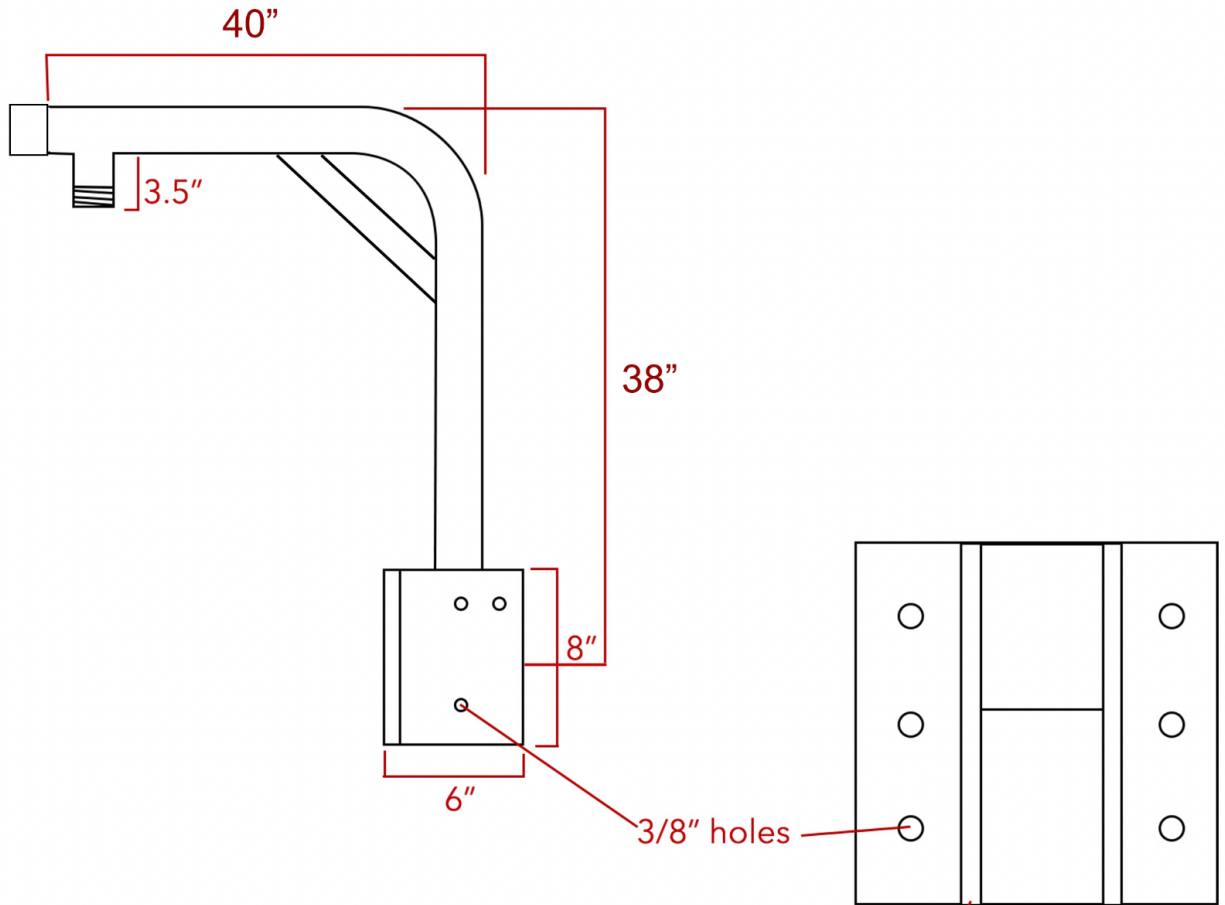
What Makes it Heavy Duty?

The HD Parapet Mount is constructed from 1-1/2" (1.9 OD) schedule 80 pipe allowing it to hold multiple cameras, antennas, or other equipment totaling up to 50 lbs without any significant bending.

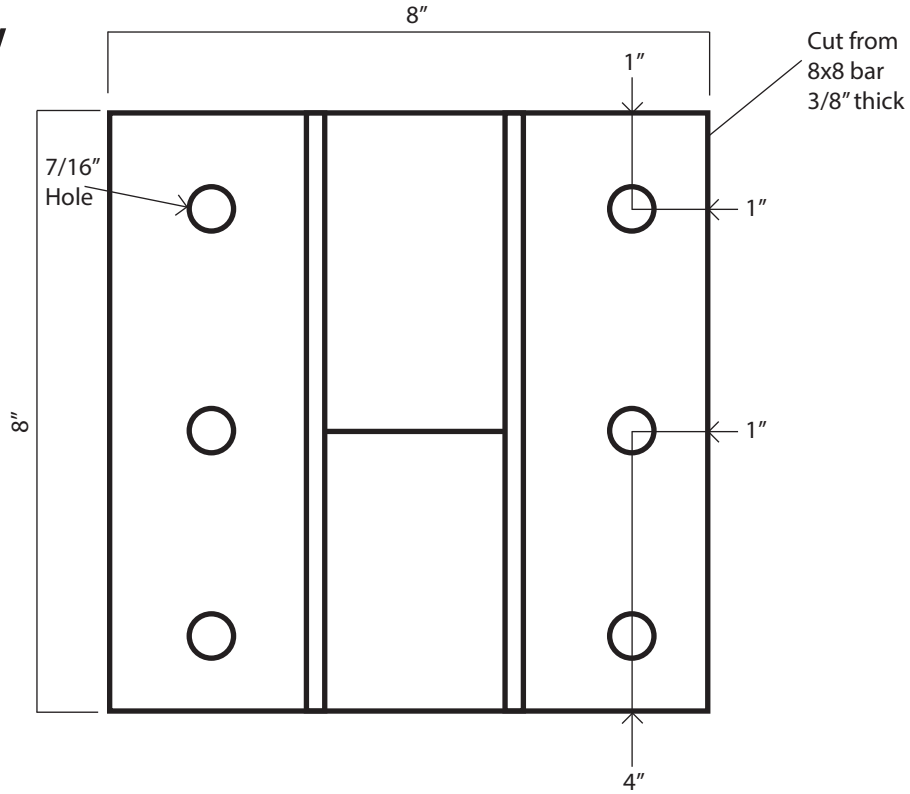


StrongPoles.com | 844-669-3537

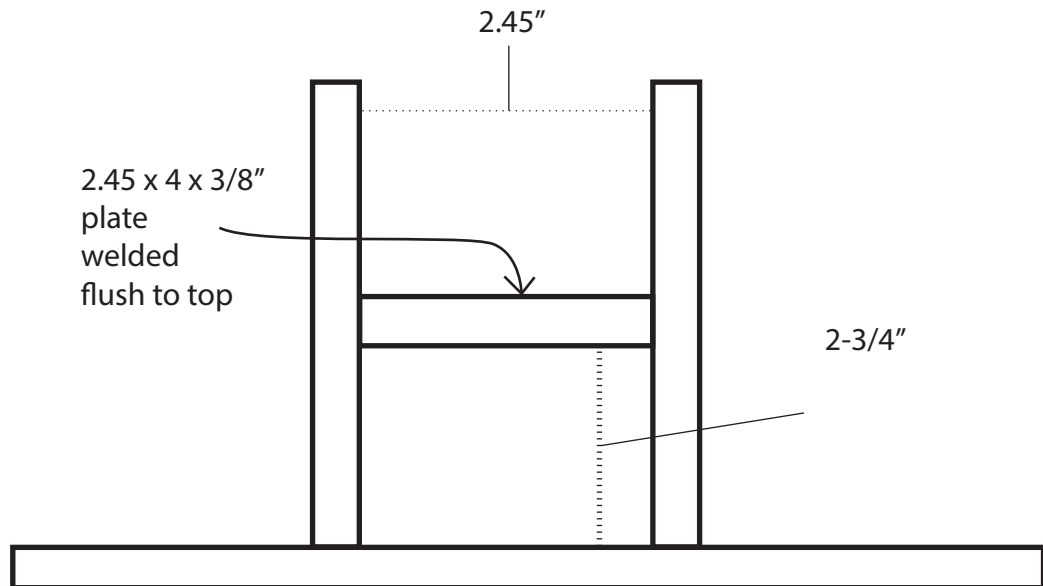
1-1/2" Pipe (1.9OD) -sch.80



Front View

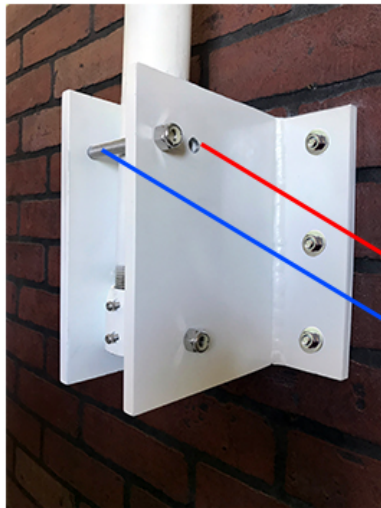
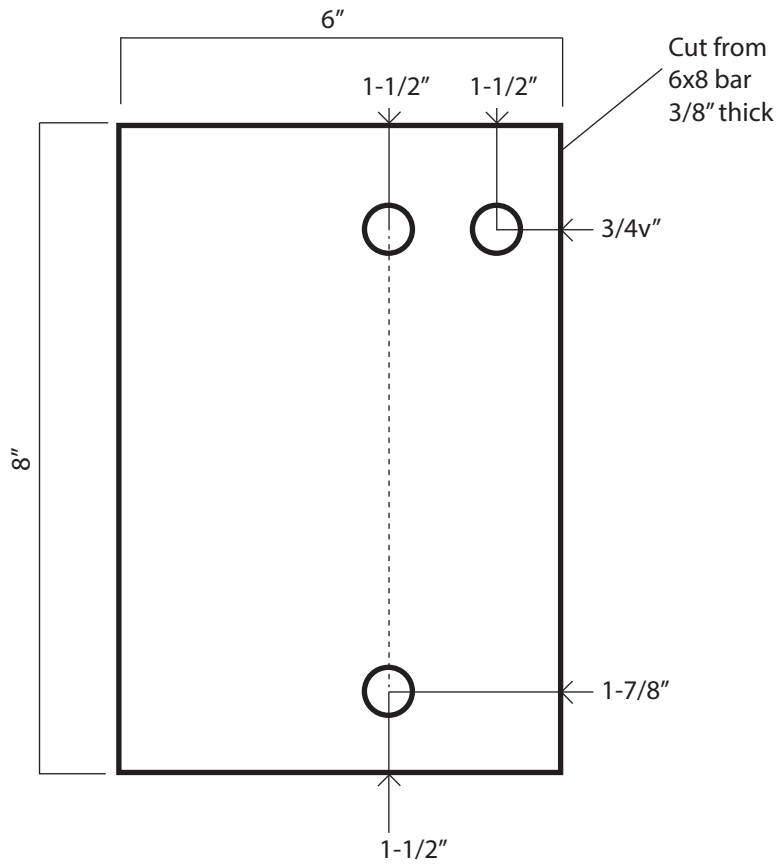


Top View



HD PARAPET
Mounting Bracket

Side View



Positioning Lock Bolt Hole

Temporary Positioning Bolt

HD PARAPET
Junction Box with
Side Mounting

