

# Fence Guard



Designed to aid Camera Analytics down fence or property lines

When monitoring a fence line, property line or perimeter areas, it is vitally important that the cameras be as steady as possible in order for the Camera Analytics to work efficiently without a lot of errors and false alarms.

That's where the rock solid performance of the SteadyMax Poles and Attachments come in. No other pole and attachments can match our steady, rigid performance under heavy loads and strong winds.

The Fence-Guard Attachment was developed to help guard a High Security Facility. This attachment was designed to aim cameras down a fence line in both directions (or even at corners), and can also hold a PTZ Camera if needed. It was also designed to thwart someone from throwing a grapple and snagging it (hence – the downward angle and closed-off openings).

### How to Use with Fences:

Many times, customers at High Security areas may be using a High Security fence. These are excellent deterrents and have qualities normal fences do not have, but their high-tensile design may transmit sounds and frequencies that could effect performance of cameras and the analytics being used.

Also, these fence systems are usually more tightly woven than many types of fencing, so cameras and poles need to be set apart from the fence structure. Winds can easily catch these fence structures and vibrate any fence pole attached.

For this reason, Strong Poles recommends that our SteadyMax poles be set back 3 feet from the fence line. So the Fence-Guard attachment is designed to reach out 3 feet from the pole center (32 inches from the pole edge), to hover over the fence structure – but not be a part of any vibrations and wind induced movement that the fence may incur.

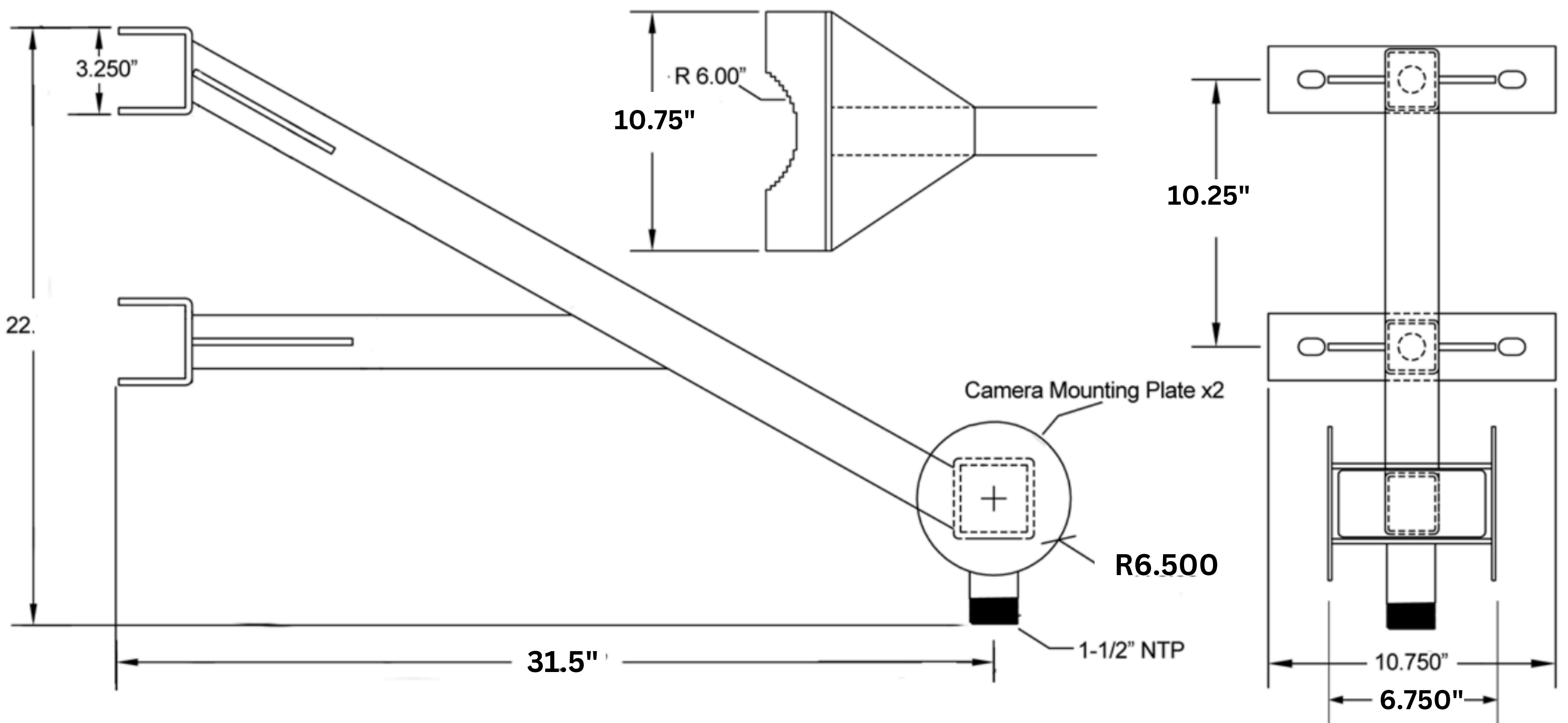
This is yet another way that we can guarantee that your cameras be as rock solid and steady as they can be.

The Fence-Guard Attachment is attached with two large 5/8" U-Bolts and pole clamps that lock to the pole and will not move. The attachment also uses strong gussets at the base to ensure that the attachment does not sway or have any movement.



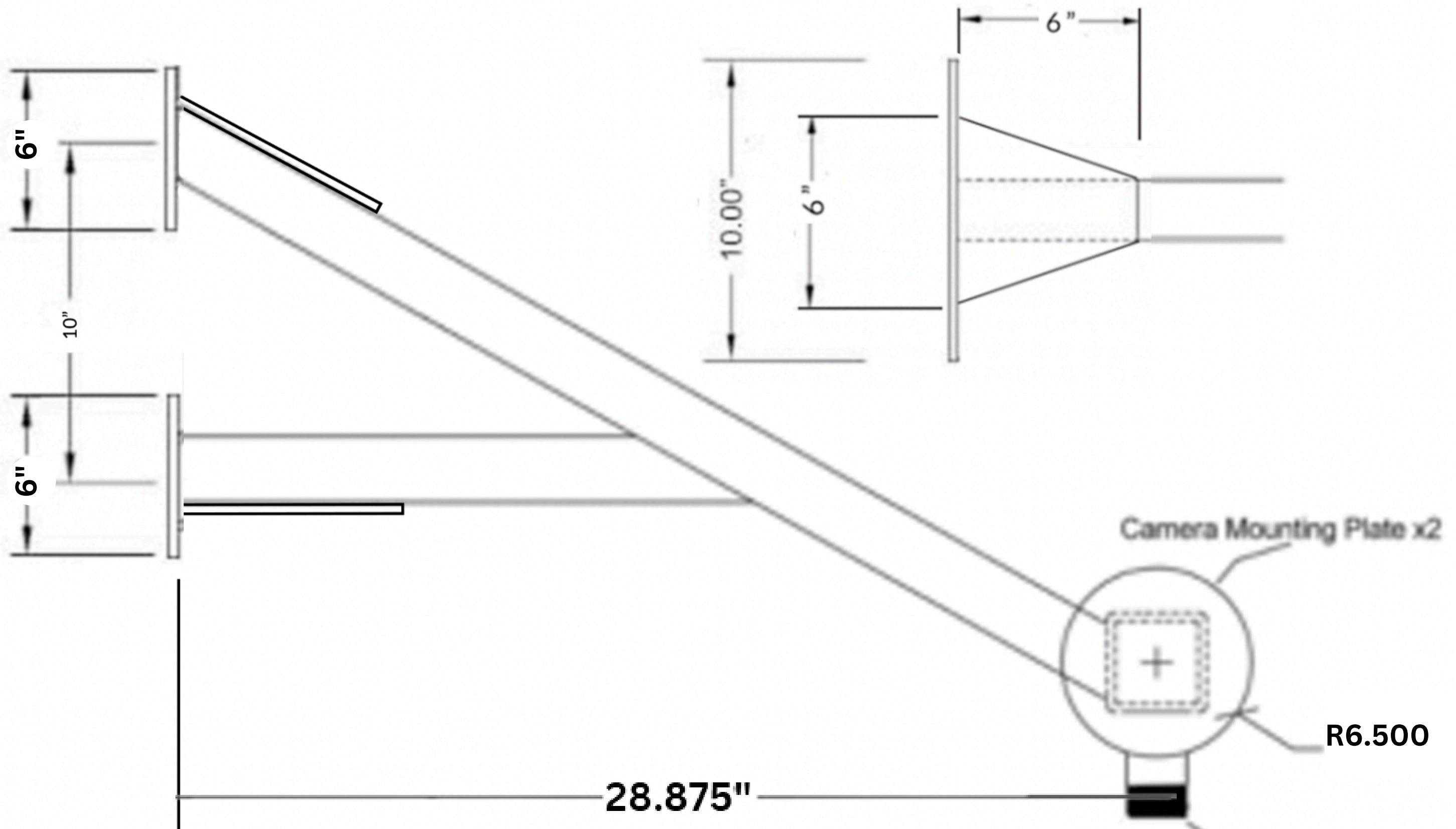
# Fence Guard

## Pole Mount Model

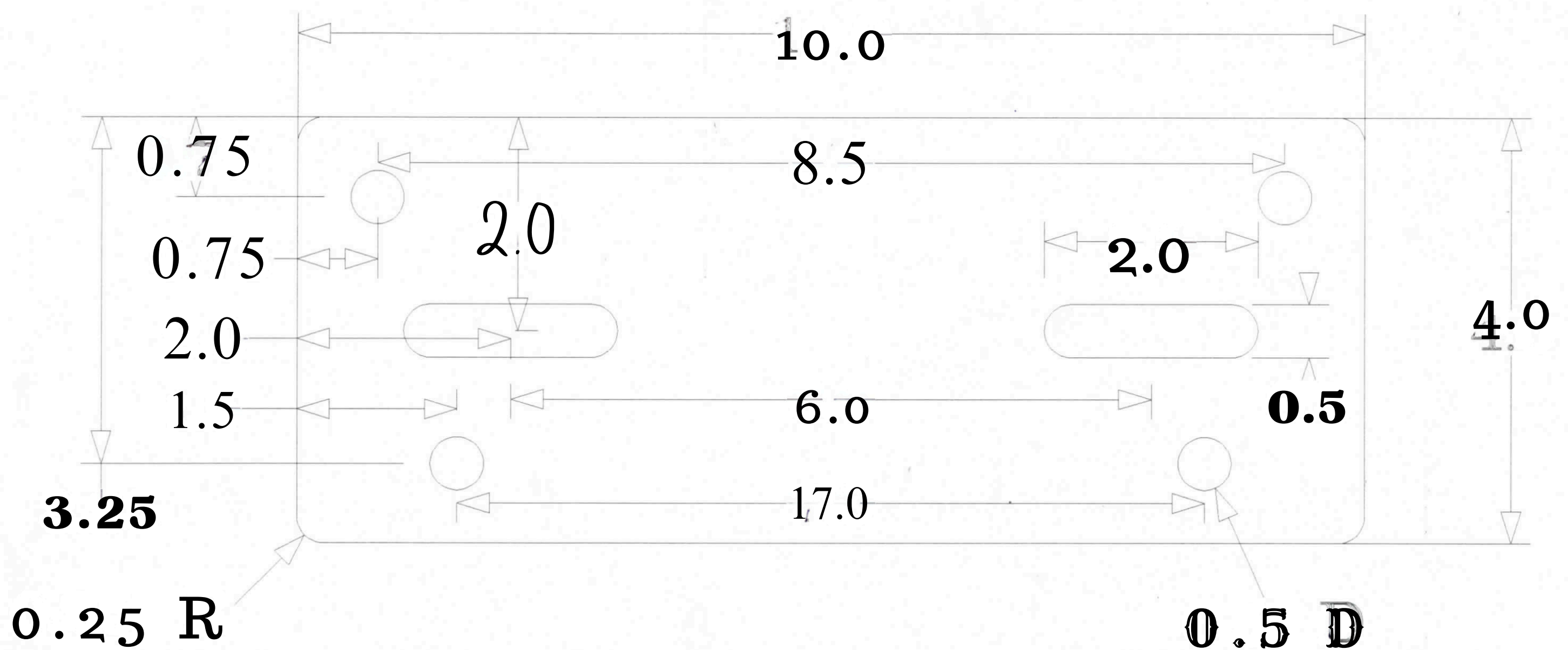


# Fence Guard

## Flat Mount Model

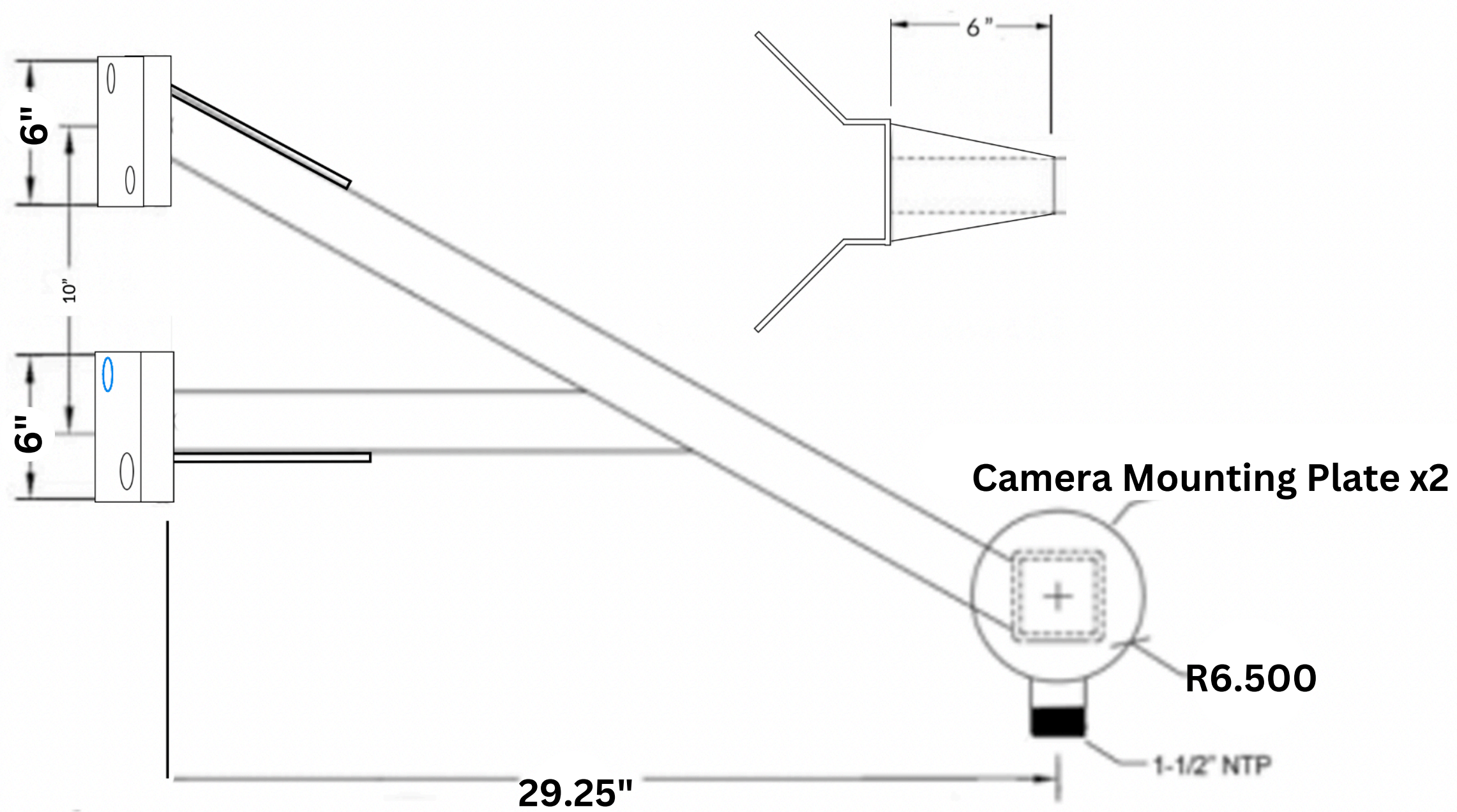


## Flat Mounting Plate



# Fence Guard

## Corner Mount Model



## Corner Mounting Plate

